

PLEASE READ this guide prior to installation, to familiarise yourself with the various stages required.

Carefully open the pack supplied and check the contents against the parts and fittings check list.

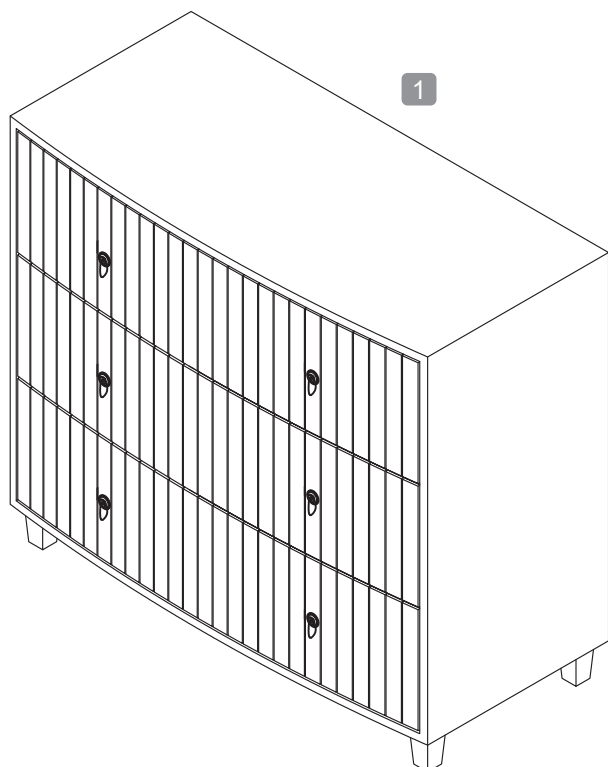
Do not destroy any of the packaging until you are certain that you have all the necessary parts.

Please ensure that the packaging is disposed of in a safe and environmentally friendly way.

Care & Maintenance

In the unlikely event of missing or damaged parts, please email hello@time4sleep.co.uk. Please have this guide at hand quoting the part code reference numbers shown, when requesting spare or replacement parts.

Parts Identification



Warnings

Do not place very hot or very cold items on the furniture unless table mats are used to prevent such items coming into direct contact with the glass.

Do not strike the glass with hard or pointed objects.

Do not use abrasive cleaners on the glass as these may scratch and damage the glass.

To clean your item, use a soft cloth, slightly dampened with water, and wipe clean. If necessary, use a few drops of washing up liquid on the cloth.

Then buff with a dry, clean cloth.

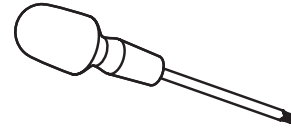
If the glass is chipped or broken and unsafe to use, please contact your retailer.

Do not drag the cabinet across the floor, lift it into position using two persons.

Parts Checklist

| Ref. | Description | Qty |
|------|---------------------|-----|
| 1 | 3 Drawer Wide Chest | 1 |

Additional Tools Required



Cross-head Screwdriver

Fittings Checklist

| Ref. | Description | Qty | Ref. | Description | Qty |
|------|--|-----|------|-------------|-----|
| A | Bracket for furniture - pre-fitted by the factory. | x1 | | | |
| B | Bracket for wall | x1 | | | |
| | | | C | Cable tie | x1 |

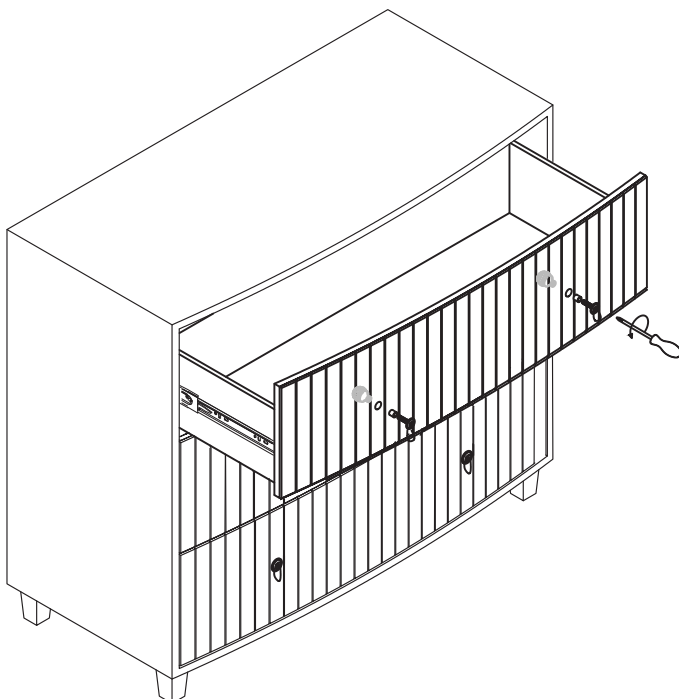
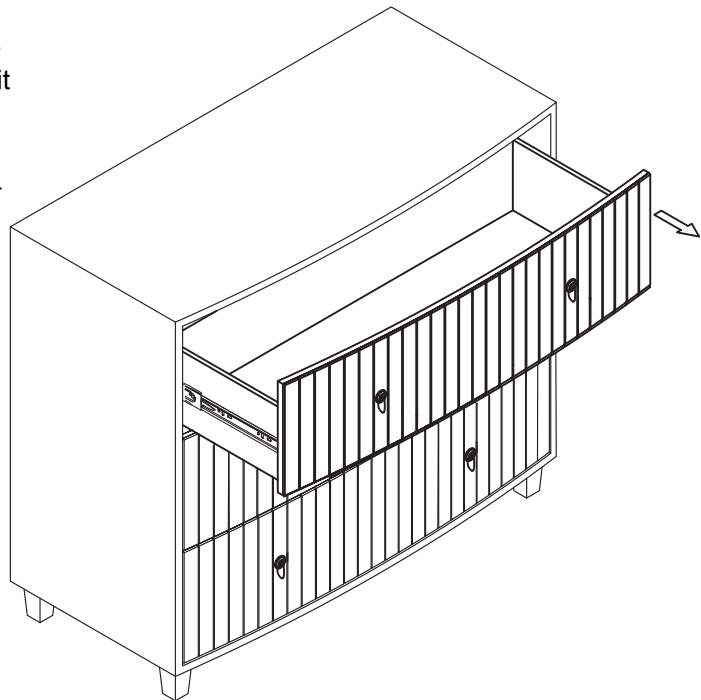
Stage

1

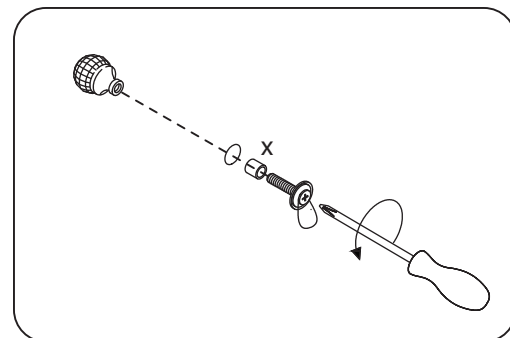
Reversing the knobs

The knobs are mounted inside of the drawers to protect them during transit

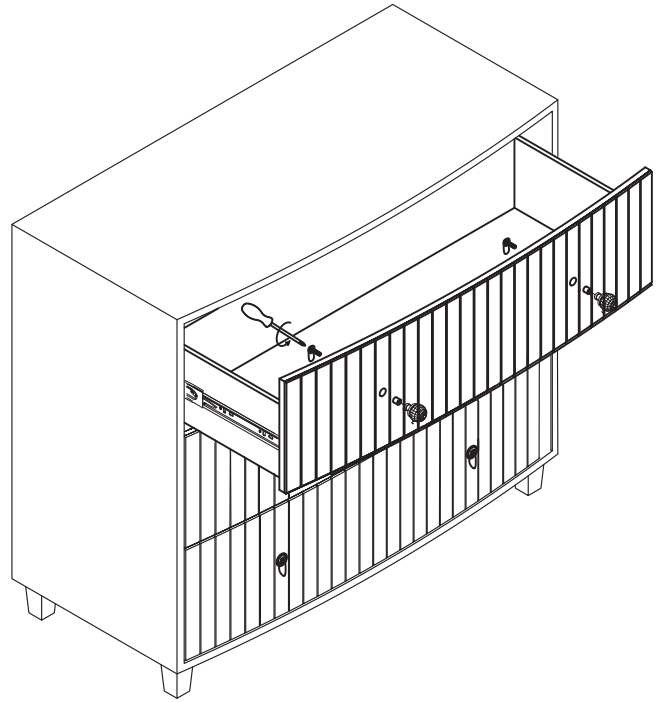
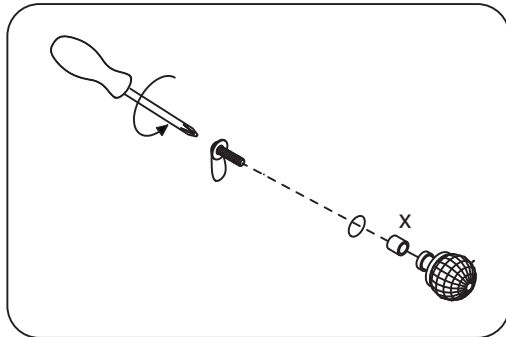
i) Open the top drawer



ii) Undo the screws and reverse the knobs re-fitting them on the outside of the drawer fronts. Repeat on the second and third drawers.



- iii) Make sure the ferrule (x) is re-fitted inside the glass - please do not over-tighten the screw.
Repeat on the second and third drawer.



Safety Warning

Fitting instructions for anti-tilt brackets.

We advise that to prevent any entrapment or unforeseen accidents, you need to secure the furniture to your wall in accordance with the following instructions. This is to prevent personal injury or property damage from unexpected tipping over of the product, especially recommended when there are children in the home.

IMPORTANT: Screws or wall fixing are not included with your product as wall construction varies considerably so please select a suitable fixing method for the type of walls you have in your home. If you are unsure about what type of fixing you require seek professional advice. The anti-tilt device must not be modified or altered in any way.

To secure Furniture to the wall:

1. The bracket (A) is pre-fitted to the furniture by the factory.
2. Position your furniture in the room deciding where on the wall the bracket (B) needs to be located - it needs to be close to, and in-line with (A) so they can be linked together. Move furniture aside and place bracket on the wall and mark position of both screws with a sharp pencil.
3. Fix bracket to the wall using suitable wall fixings, remember that screws and wall fixings are not included. Seek professional advice if unsure about a safe fixing method.
4. Feed small end of cable tie (C) down through wall bracket (B) then put furniture back in place.
5. Feed small end of cable tie up through the furniture bracket (A), push into receiving end of the tie.
6. Now pull tight.

Now your furniture is now protected from falling over.
Please do not allow children to climb on the product.

